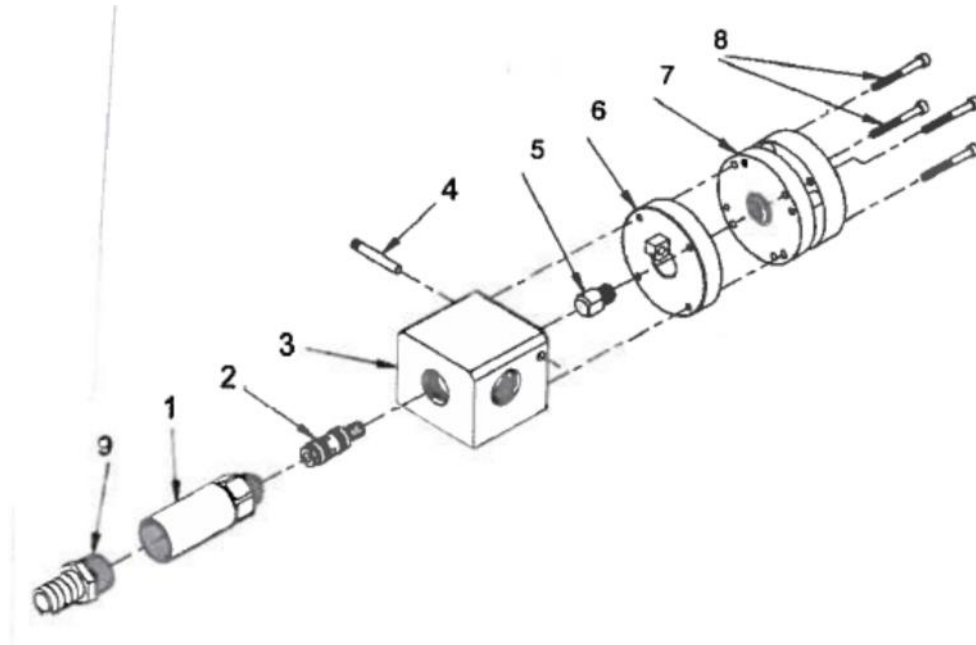


STRIPE HOG DIVERTER VALVE ASSEMBLY DIAGRAM & REPAIR

(Truck Air Operated Diverter Valve Diagram)



ITEM	Part #	Description
1	K51865	Diffuser
2	K53476	C-40 Cartridge
3	K53547	Body
4	K26454	Pin
5	K53425	Pusher
6	K53424	Mounting Plate
7	K54343	Air Cylinder
8	K27108	Capscrew
9	K25797	Hose Fitting

1. Remove diffuser tube (1) with cartridge (2). Remove cartridge (2) from slotted end and replace with a new cartridge (2). Replace diffuser tube (1) into valve body (3).
2. Periodic maintenance of air actuator is necessary. Remove cap screws (8) to disassemble air cylinder (7). Clean thoroughly, check O-rings, apply silicone lubricant and reassemble.