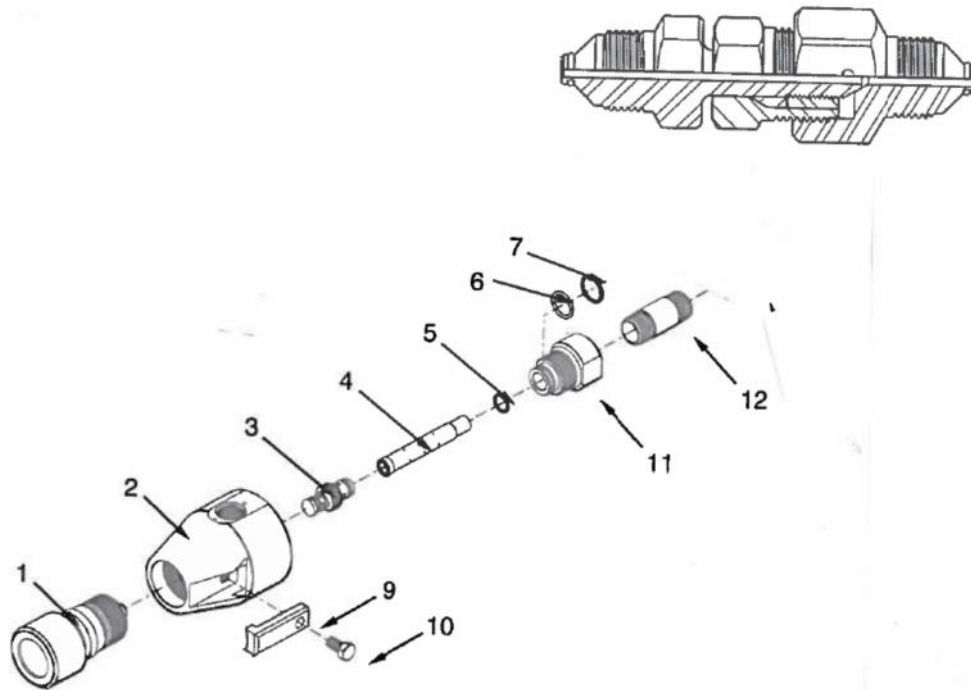


## STRIPE HOG MANUAL BYPASS VALVE ASSEMBLY REPAIR



1. Remove outlet adapter (11). Pull cartridge (3) out. If cartridge (3) is stuck together and not releasing pull the pin and cartridge body apart to inspect the seats for cuts and other damage. Replace the cartridge as necessary.
2. Check diffuser (4) for damage or wear from bypass water.
3. Check all O-rings, replace any that are damaged. Lubricate all O-rings with silicone lubricant.
4. Replace cartridge (3) and reassemble to the bypass valve body (2) making sure to anti-seize all stainless steel threads.